



NAPCO®

333 Bayview Avenue

Amityville, New York 11701

For Sales and Repairs, (800) 645-9445

For Technical Service, (800) 645-9440

Publicly traded on NASDAQ Symbol: NSSC

© NAPCO 2007

NAPCO ISEEE-CAMIR36

Varifocal IR Bullet Camera w/550 TV Lines

OI339 9/07



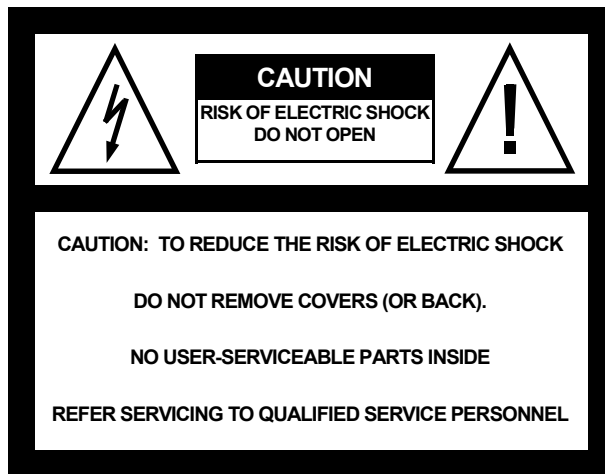
- 1/3" Super HAD High Resolution True Day/Night Color CCD
- 550 TVL (Color) / 580 TVL (B/W)
- 3.8 ~ 9.5mm / F1.2 Externally Adjustable Varifocal Auto Iris Lens
- 36 IR LEDs with 120' Range
- Built-In Service Monitor Port
- 0 Lux Operation (IR LEDs On)
- IP66 Weatherproof Rated
- 12VDC / 24VAC Dual Voltage Operation

RISK OF ELECTRIC SHOCK WARNING

WARNING

TO REDUCE THE RISK OF FIRE OR SHOCK HAZARD, DO NOT EXPOSE THIS PRODUCT TO RAIN OR MOISTURE. DO NOT INSERT ANY METALLIC OBJECTS THROUGH THE VENTILATION GRILLS OR OTHER OPENINGS ON THE EQUIPMENT.

CAUTION



EXPLANATION OF GRAPHICAL SYMBOLS



THE LIGHTNING FLASH WITH ARROWHEAD SYMBOL, WITHIN AN EQUILATERAL TRIANGLE, IS INTENDED TO ALERT THE USER TO THE PRESENCE OF UNINSULATED 'DANGEROUS VOLTAGE' WITHIN THE PRODUCT'S ENCLOSURE THAT MAY BE OF SUFFICIENT MAGNITUDE TO CONSTITUTE A RISK OF ELECTRIC SHOCK TO PERSONS.



THE EXCLAMATION POINT WITHIN AN EQUILATERAL TRIANGLE IS INTENDED TO ALERT THE USER TO THE PRESENCE OF IMPORTANT OPERATING AND MAINTENANCE (SERVICING) INSTRUCTIONS IN THE LITERATURE ACCOMPANYING THE PRODUCT.

CONTENT VERIFICATION

Prior to the installation of this camera, please verify that the packaging contains the following:

1. One ISEEE-CAMIR36 Camera
2. One Secondary Video Output Cable
3. One Sunshield
4. One Instruction manual
5. One Accessory Pack containing
 - a. Allen Wrench
 - b. Brass Screw Driver
 - c. Sunshield Thumb Set Screw

If any of the contents are missing, please contact the NAPCO Customer Help Desk immediately.

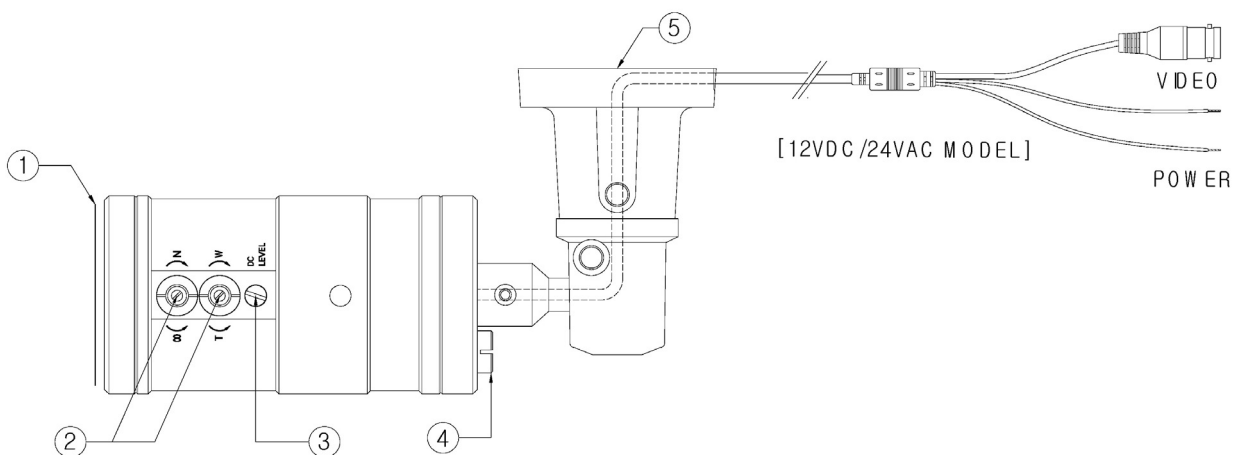
FEATURE HIGHLIGHTS

EMPHASIS ON USER FRIENDLINESS

The ISEEE-CAMIR36 features Sony HQ1 technology with high resolution of 550 horizontal TV lines and a weather resistant housing with easy external adjustment of camera features.

- Zoom and focus can be easily adjusted without opening the camera.
- External DC level controller provides easy iris adjustment for brightness control.
- Secondary video output adds convenience to the adjustment of the viewing angle, direction, brightness, focus and zoom adjustment after installation.
- Multi-directional mounting bracket allows installation of the camera virtually on any surface and feed-through minimizes potential vandalism while improving the aesthetics of the installation.
- ICR Vari-focal DC Auto Iris Lens at 3.8 ~ 9.5 mm F1.2.

ISEEE-CAMIR36 LAYOUT / FUNCTIONS



1. Protective Film over Front Glass

- The blue protective film must be removed before use.

2. Focus / Zoom Screws

- Adjust the angle of view by turning the zoom screw to "W" for a wider field of view, and to "T" for a narrower field of view.
- Adjust the focus screw to "N" or to "∞" until the sharpest focus is achieved.

3. DC Level Volume Cap

- Remove this cap to adjust DC Iris Level.
- Turn the DC lever clockwise for a brighter picture, and counter-clockwise for a darker picture.

4. Service Video Port

- Remove this cap and connect the supplied service monitor cable to connect to a service monitor for final adjustments.

5. Feed-Through Mounting Bracket

- Use the supplied screws to mount bracket base to the desired location.

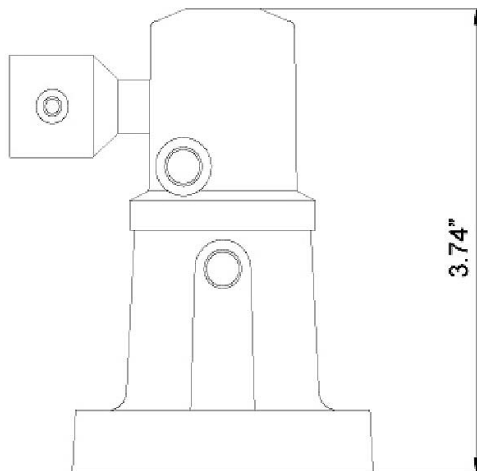
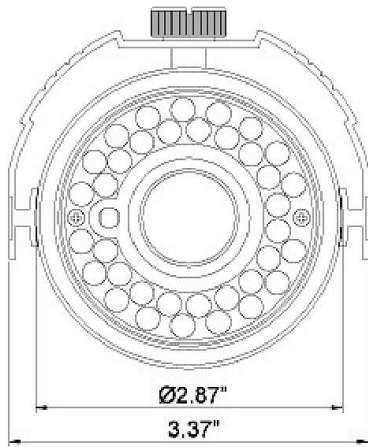
WIRING CONNECTIONS

The camera should be powered by the following power supplies:

12VDC 1000mAmps or 24VAC 20VA, CSA Certified Class 2 Power Supply.

For optimum video signal, use 95% copper shielded coax cable. Twisted pair or Category 5e cable may also be used with optional Passive Video Transceivers. Maximum cable distance for 95% copper braid coax is approximately 800 feet. For Category 5e or twisted pair, 1500 feet using transceivers.

DIMENSIONS



SPECIFICATIONS

Image Sensor	1/3" Interline transfer type color CCD (SONY)
Effective Pixels	768H x 494V (380K pixels)
Scanning System	525 Lines 2 : 1 Interlace
Scanning Frequency	15.734KHz (H), 59.94Hz (V)
Resolution	550 TV – Lines, 580 TV – Lines (B/W)
Shutter Speed	1/60
S/N Ratio	More than 48dB (AGC Off)
Sync. System	Internal
Min. Illumination	0 Lux (IR LED ON)
White Balance	ATW / AWC selectable
Video Output	VBS 1.0 Vp-p (75ohm load)
Lens	Vari-Focal DC Auto Iris IR Lens 3.8 ~ 9.5 mm F1.2
Power Supply	DC12V±10% / AC 24V±10%
Power Consumption	IR LED On / 600mA, IR LED Off / 240mA
Operating Temp.	14°F ~ 122°F (-10°C ~ + 50°C)
Operating Humidity	90% RH max.
No. of I.R. LEDs	36 Pieces Infrared LED
Wave Length	850NM
Angles of I.R. LEDs	30°
Viewing Distance	Max 100 Feet
Dimensions	73mm (∅) x 122mm (L) / 2.874 in. (∅) x 4.803 in. (L)



333 Bayview Avenue
Amityville, New York 11701
For Sales and Repairs, (800) 645-9445
For Technical Service, (800) 645-9440
Publicly traded on NASDAQ Symbol: NSSC

© NAPCO 2007